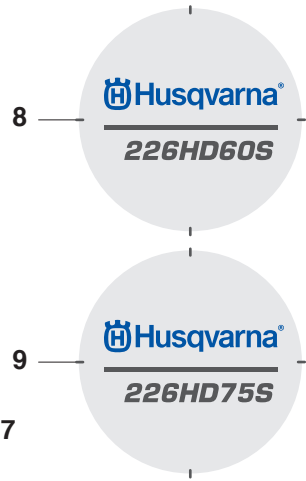
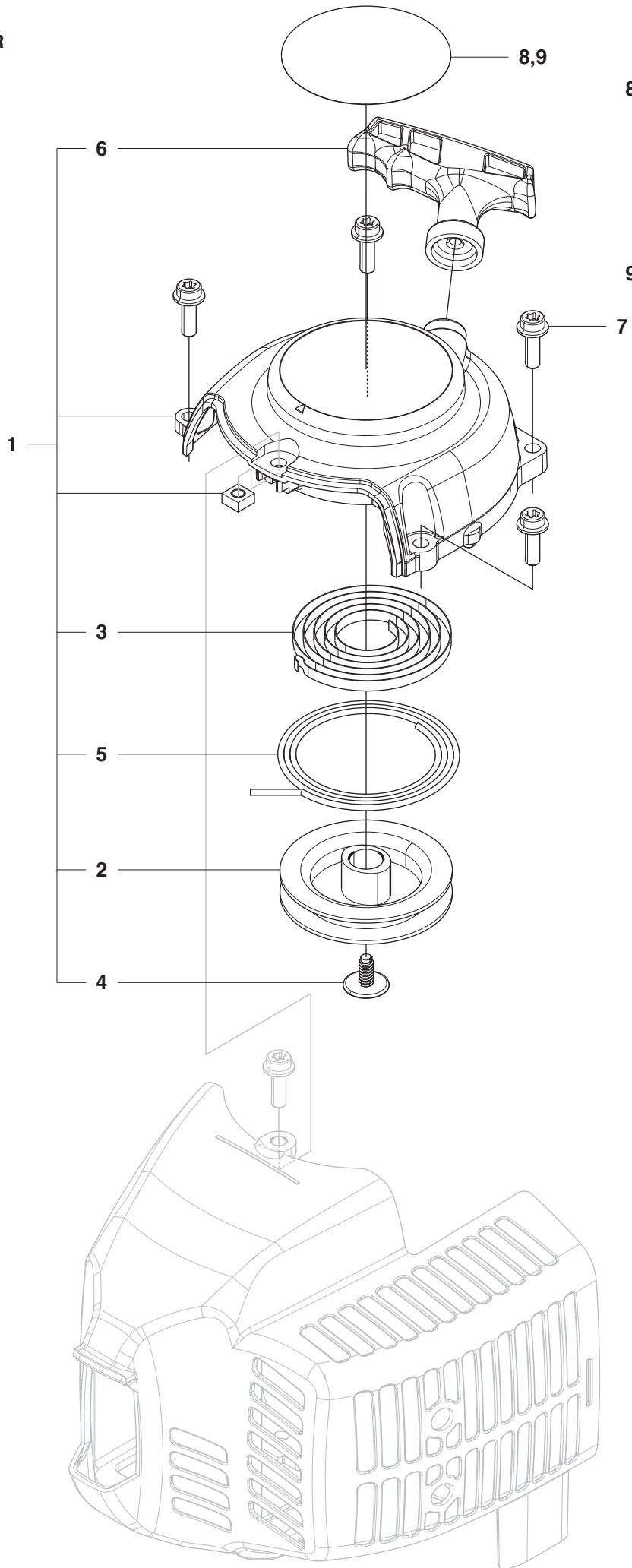


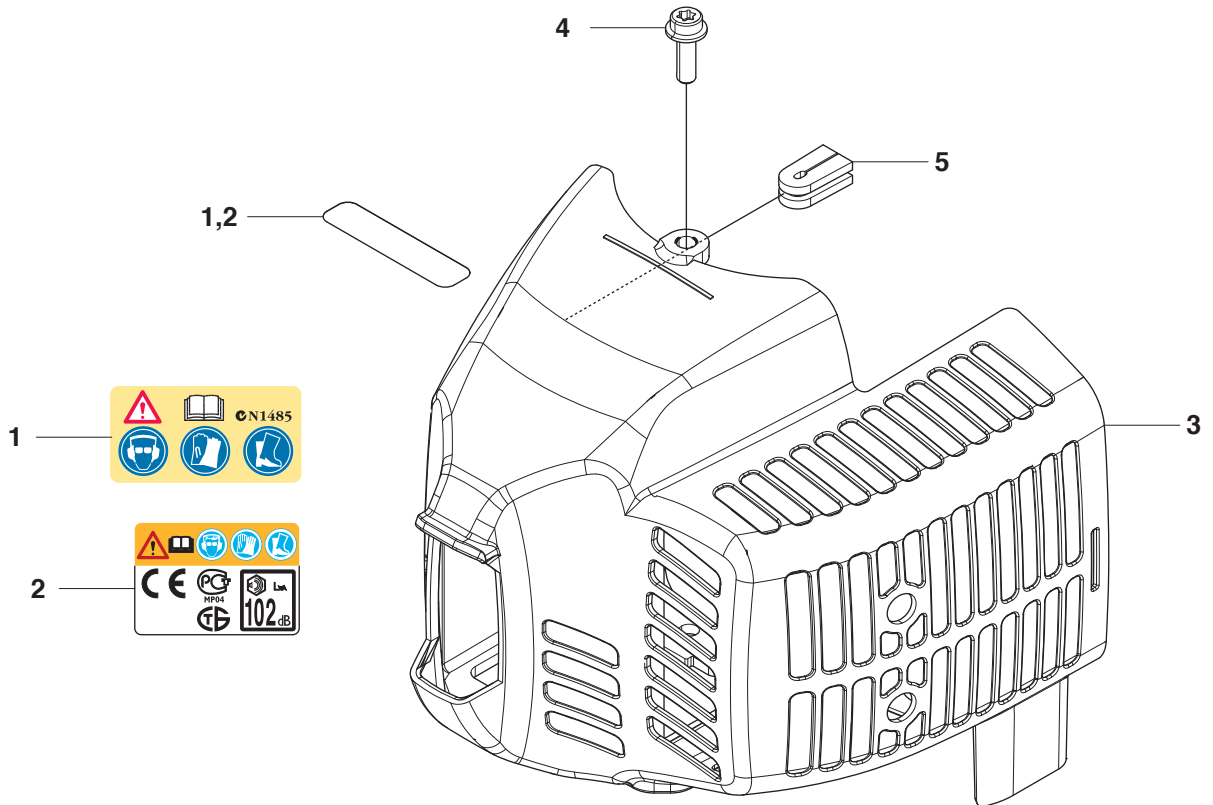
A 226HD
STARTER



Page A 226HD STARTER

| Position | Article | Quantity | Notes | Kit |
|-----------------|----------------|-----------------|--------------|------------|
| 1 | 506 65 72-01 | 1 | | |
| 2 | 506 68 42-01 | 1 | | 1 |
| 3 | 506 67 43-01 | 1 | | 1 |
| 4 | 506 61 30-01 | 1 | | 1 |
| 5 | 506 68 34-01 | 1 | | 1 |
| 6 | 506 61 47-01 | 1 | | 1 |
| 7 | 506 74 56-01 | 4 | | |
| 8 | 528 05 13-01 | 1 | 226HD60S | |
| 9 | 528 05 17-01 | 1 | 226HD75S | |

B 226HD
CYLINDER COVER

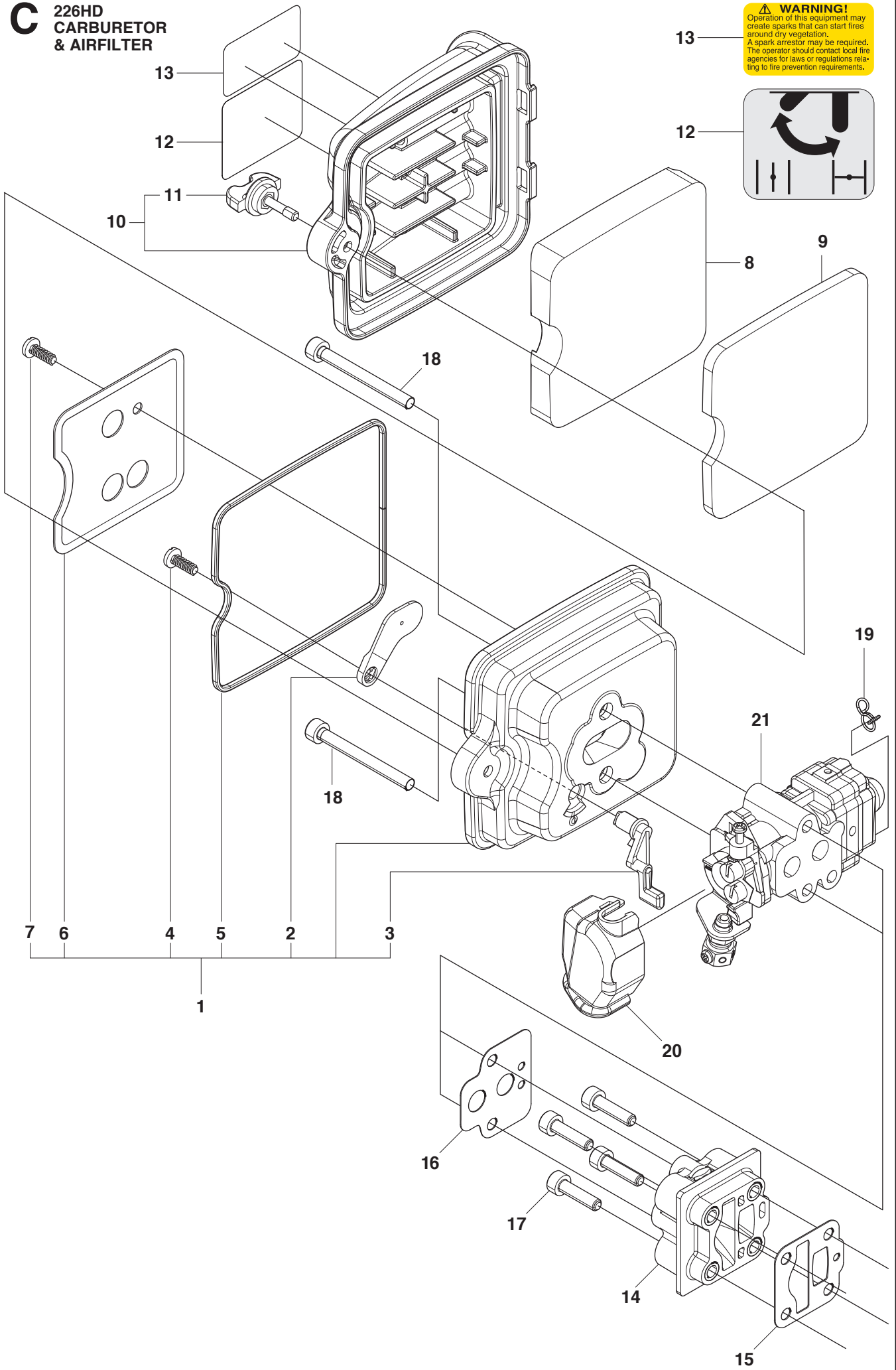
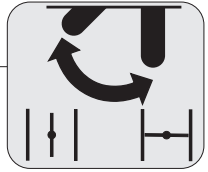


Page B 226HD CYLINDER COVER

| Position | Article | Quantity | Notes | Kit |
|-----------------|----------------|-----------------|--------------|------------|
| 1 | 506 62 93-01 | 1 | US only | |
| 2 | 527 88 78-01 | 1 | EU only | |
| 3 | 506 65 70-01 | 1 | | |
| 4 | 506 74 56-01 | 1 | | |
| 5 | 506 61 59-01 | 1 | | |

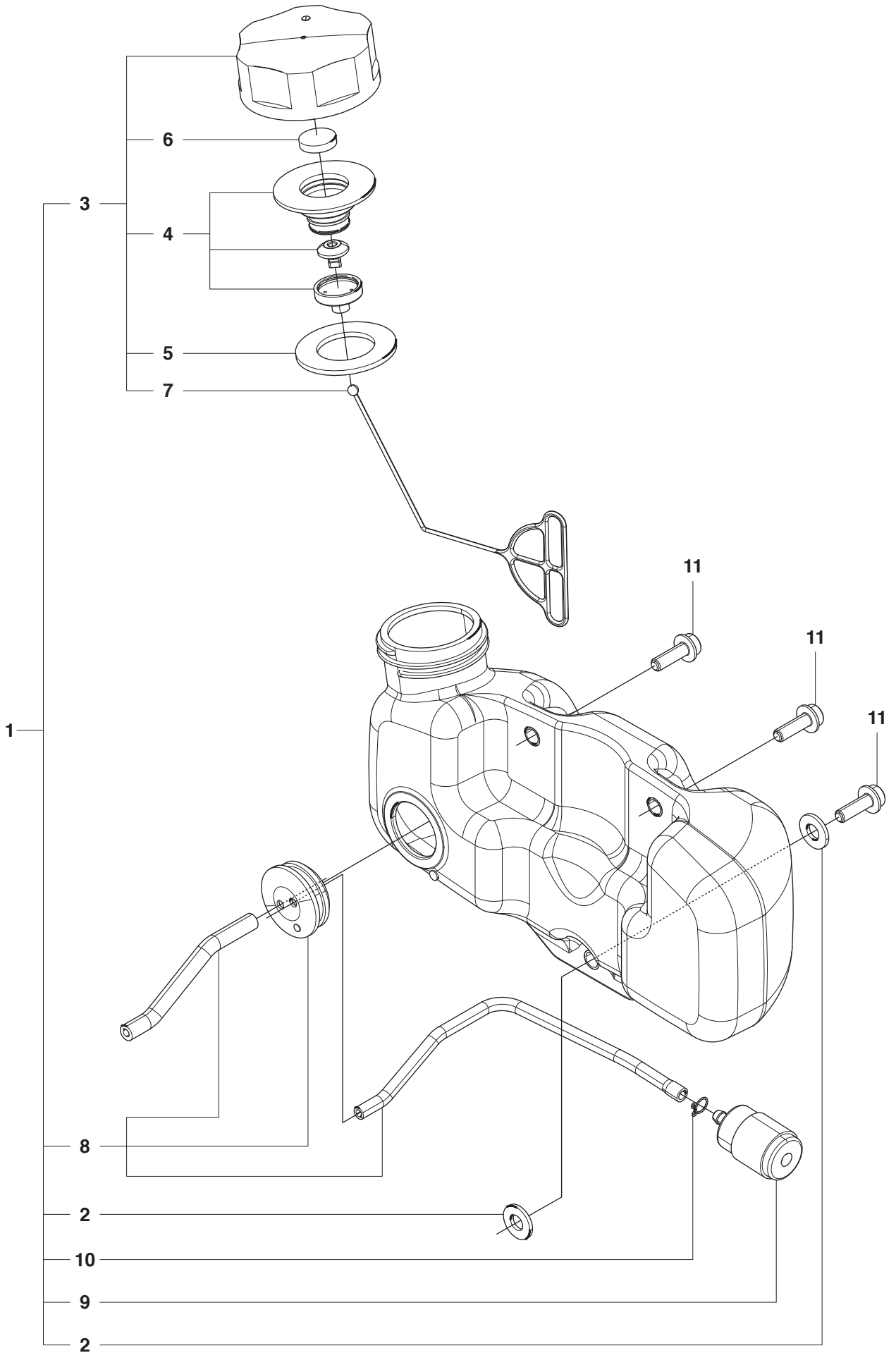
C 226HD CARBURETOR & AIRFILTER

⚠ WARNING!
Operation of this equipment may create sparks that can start fires around dry vegetation. A spark arrestor may be required. The operator should contact local fire agencies for laws or regulations relating to fire prevention requirements.



| Position | Article | Quantity | Notes | Kit |
|----------|--------------|----------|---------|-----|
| 1 | 511 35 92-01 | 1 | | |
| 2 | 506 68 43-01 | 1 | | 1 |
| 3 | 521 76 05-01 | 1 | | 1 |
| 4 | 506 67 38-01 | 1 | | 1 |
| 5 | 521 75 13-01 | 1 | | 1 |
| 6 | 521 60 79-01 | 1 | | 1 |
| 7 | 506 67 38-01 | 1 | | 1 |
| 8 | 523 09 00-01 | 1 | | |
| 9 | 523 07 11-01 | 1 | | |
| 10 | 523 07 12-01 | 1 | | |
| 11 | 523 07 13-01 | 1 | | 10 |
| 12 | 574 29 97-01 | 1 | | |
| 13 | 523 07 14-01 | 1 | US only | |
| 14 | 511 34 97-01 | 1 | | |
| 15 | 511 35 00-01 | 1 | | |
| 16 | 521 75 50-01 | 1 | | |
| 17 | 506 68 90-01 | 4 | | |
| 18 | 504 11 65-01 | 2 | | |
| 19 | 506 74 15-01 | 1 | | |
| 20 | 506 74 42-01 | 1 | | |
| 21 | 523 07 15-01 | 1 | | |

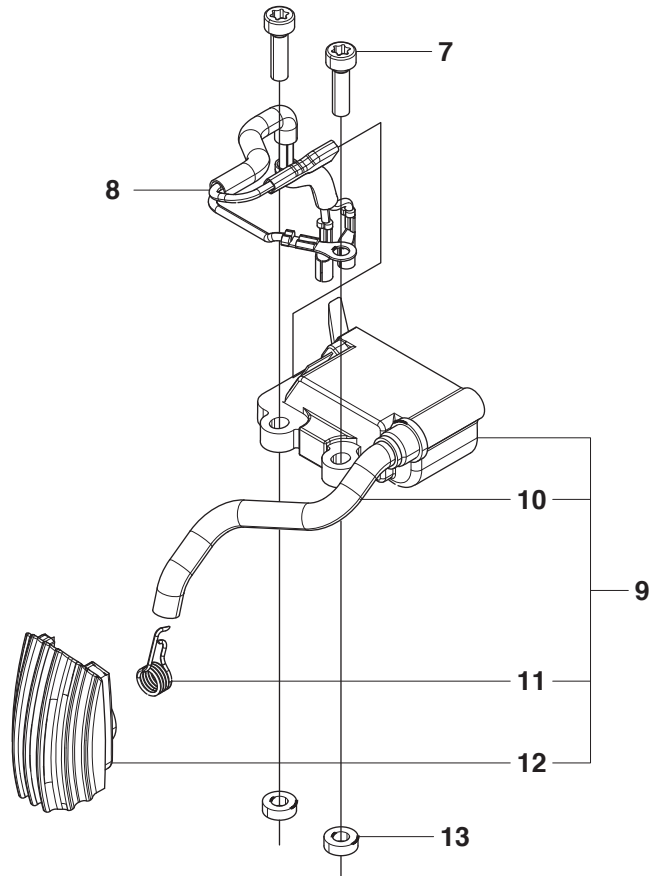
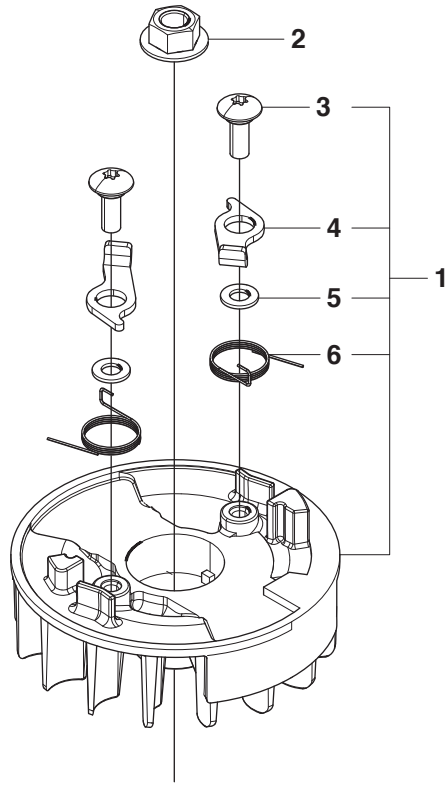
D 226HD
FUEL TANK



Page D 226HD FUEL TANK

| Position | Article | Quantity | Notes | Kit |
|-----------------|----------------|-----------------|--------------|------------|
| 1 | 525 24 60-01 | 1 | EU only | |
| 1 | 579 21 09-01 | 1 | US only | |
| 2 | 506 68 41-01 | 2 | | 1 |
| 3 | 505 30 96-01 | 1 | | 1 |
| 4 | 515 36 94-01 | 1 | | 1, 3 |
| 5 | 506 74 43-01 | 1 | | 1, 3 |
| 6 | 506 74 68-01 | 1 | | 1, 3 |
| 7 | 506 74 58-01 | 1 | | 1, 3 |
| 8 | 506 65 31-01 | 1 | EU only | 1 |
| 8 | 579 13 83-08 | 1 | US only | 1 |
| 9 | 506 61 46-01 | 1 | | 1 |
| 10 | 506 70 70-01 | 1 | | 1 |
| 11 | 506 74 56-01 | 3 | | |

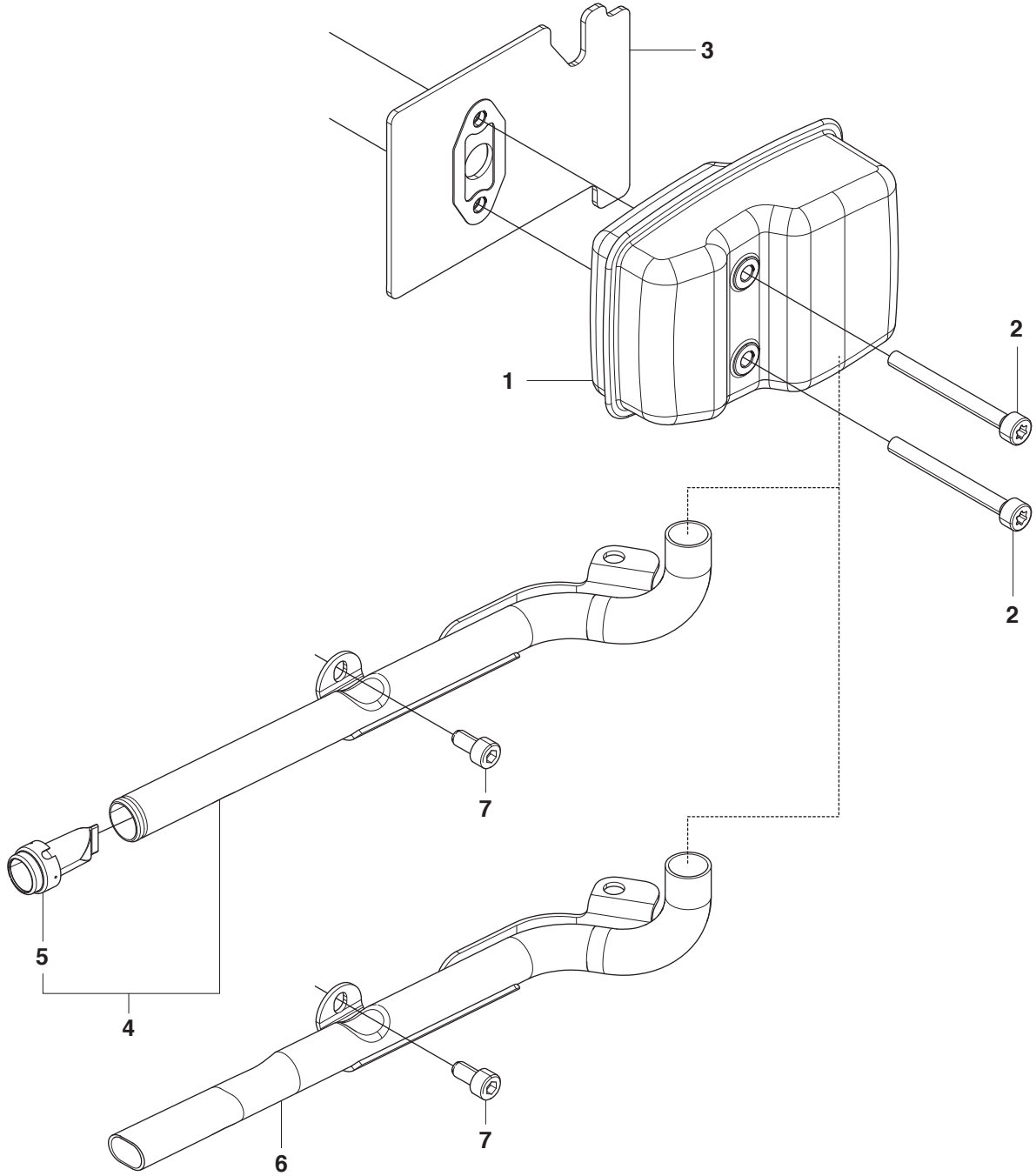
E 226HD
IGNITION SYSTEM



Page E 226HD IGNITION SYSTEM

| Position | Article | Quantity | Notes | Kit |
|-----------------|----------------|-----------------|--------------|------------|
| 1 | 506 65 60-01 | 1 | | |
| 2 | 504 11 80-01 | 1 | | |
| 3 | 506 61 43-01 | 2 | | 1 |
| 4 | 506 61 41-01 | 2 | | 1 |
| 5 | 506 61 44-01 | 2 | | 1 |
| 6 | 521 74 71-01 | 2 | | 1 |
| 7 | 506 74 57-01 | 2 | | |
| 8 | 506 65 23-01 | 1 | | |
| 9 | 506 65 61-01 | 1 | | |
| 10 | 511 35 12-01 | 1 | | 9 |
| 11 | 506 65 52-01 | 1 | | 9 |
| 12 | 521 61 00-01 | 1 | | 9 |
| 13 | 504 11 86-01 | 2 | | |

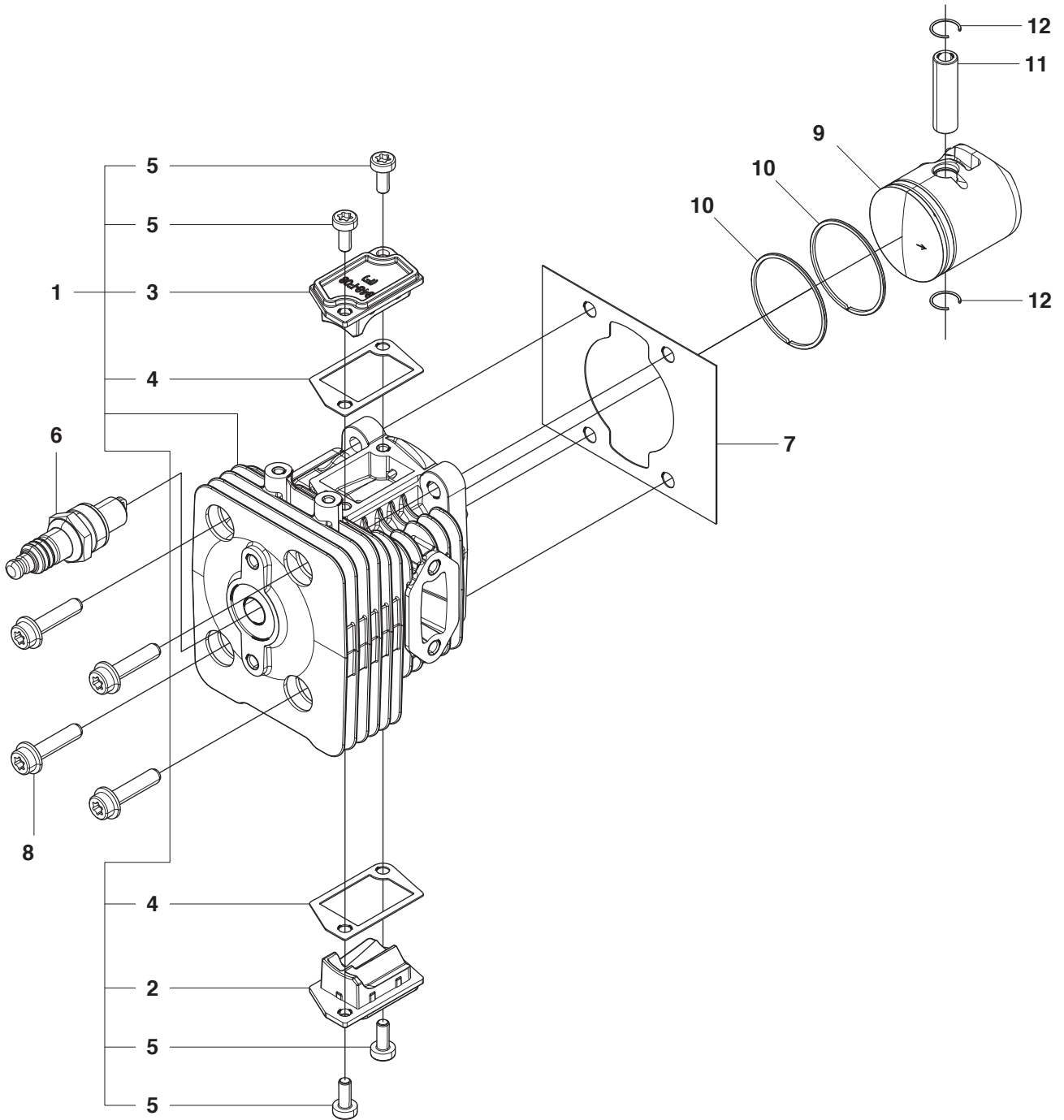
F 226HD
MUFFLER



Page F 226HD MUFFLER

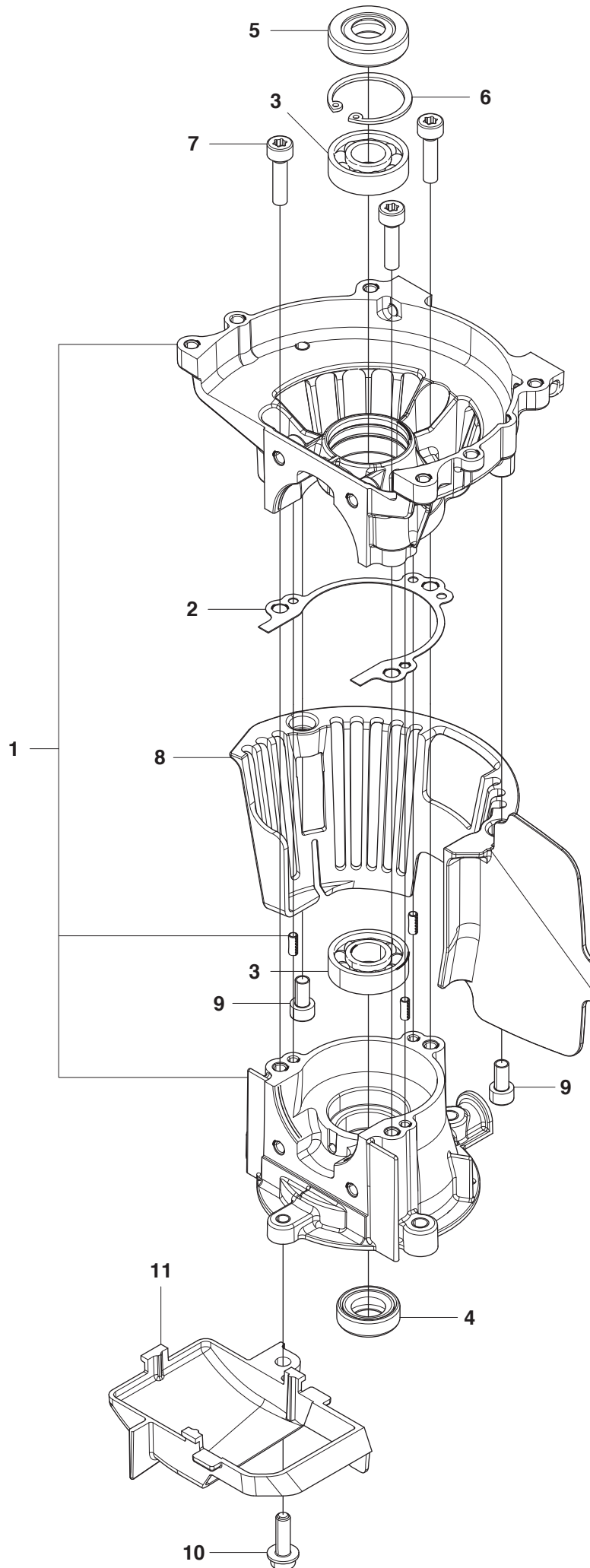
| Position | Article | Quantity | Notes | Kit |
|-----------------|----------------|-----------------|--------------|------------|
| 1 | 523 07 16-01 | 1 | | |
| 2 | 504 11 65-01 | 2 | | |
| 3 | 506 65 56-01 | 1 | | |
| 4 | 523 07 20-01 | 1 | US only | |
| 5 | 506 61 56-01 | 1 | | 4 |
| 6 | 521 59 06-01 | 1 | EU only | |
| 7 | 505 16 99-01 | 1 | | |

G 226HD
CYLINDER & PISTON



| Position | Article | Quantity | Notes | Kit |
|-----------------|----------------|-----------------|--------------|------------|
| 1 | 506 65 38-01 | 1 | | |
| 2 | 506 65 41-02 | 1 | | 1 |
| 3 | 506 65 42-02 | 1 | | 1 |
| 4 | 506 65 43-01 | 2 | | 1 |
| 5 | 504 11 92-01 | 4 | | 1 |
| 6 | 506 61 51-01 | 1 | | |
| 7 | 506 62 97-01 | 1 | | |
| 8 | 506 74 52-01 | 4 | | |
| 9 | 506 65 50-01 | 1 | | |
| 10 | 506 61 81-01 | 2 | | |
| 11 | 505 04 07-01 | 1 | | |
| 12 | 505 04 52-01 | 2 | | |

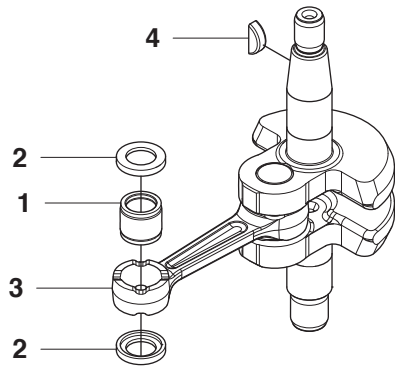
H 226HD
CRANKCASE



Page H 226HD CRANKCASE

| Position | Article | Quantity | Notes | Kit |
|-----------------|----------------|-----------------|--------------|------------|
| 1 | 506 63 84-01 | 1 | | |
| 2 | 506 68 48-01 | 1 | | |
| 3 | 506 61 03-01 | 2 | | |
| 4 | 504 12 15-01 | 1 | | |
| 5 | 506 61 29-01 | 1 | | |
| 6 | 506 60 99-01 | 1 | | |
| 7 | 504 11 43-01 | 3 | | |
| 8 | 506 62 96-01 | 1 | | |
| 9 | 504 11 96-01 | 2 | | |
| 10 | 506 74 56-01 | 1 | | |
| 11 | 506 65 71-01 | 1 | | |

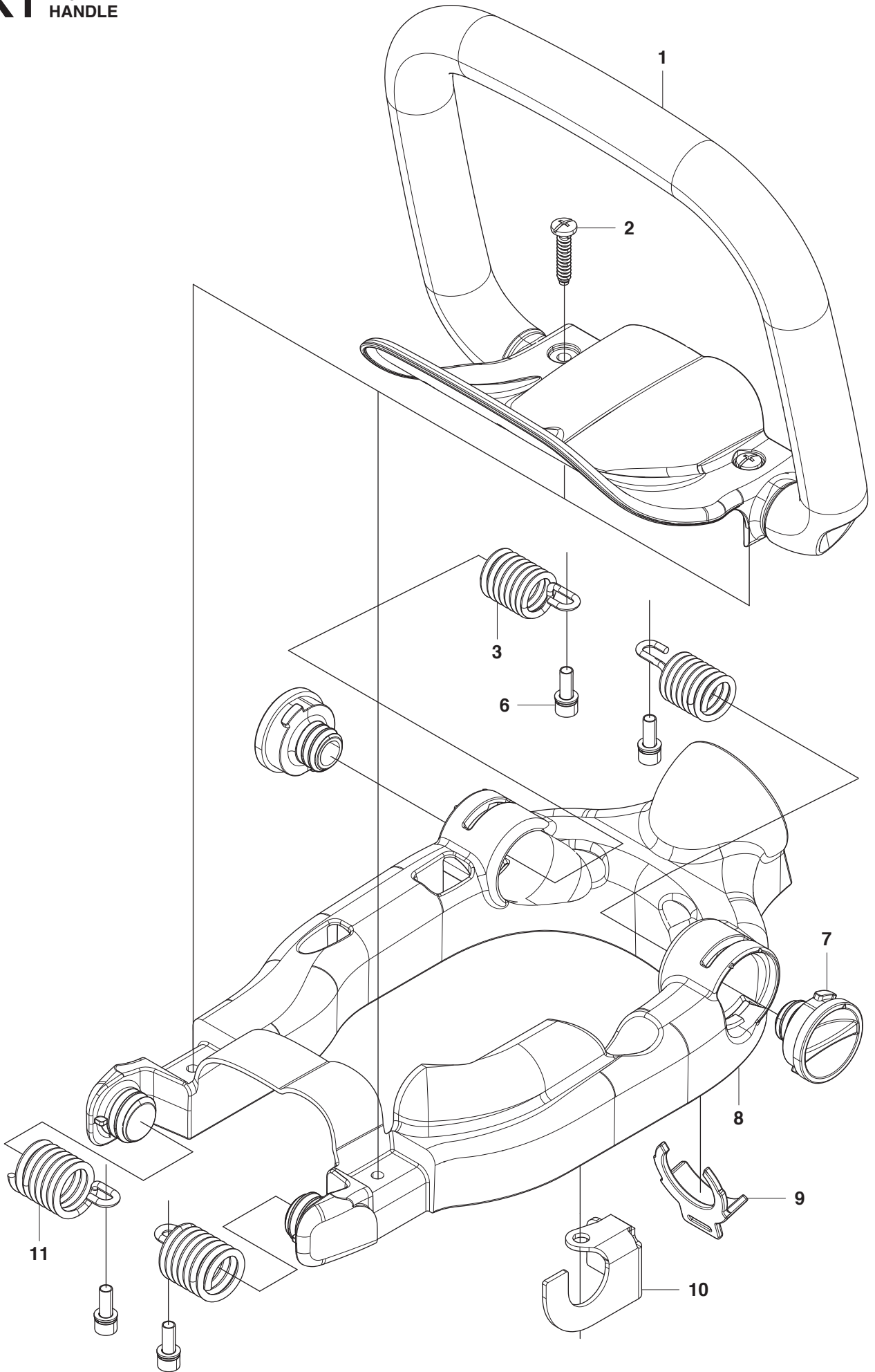
J 226HD
CRANK SHAFT



Page J 226HD CRANK SHAFT

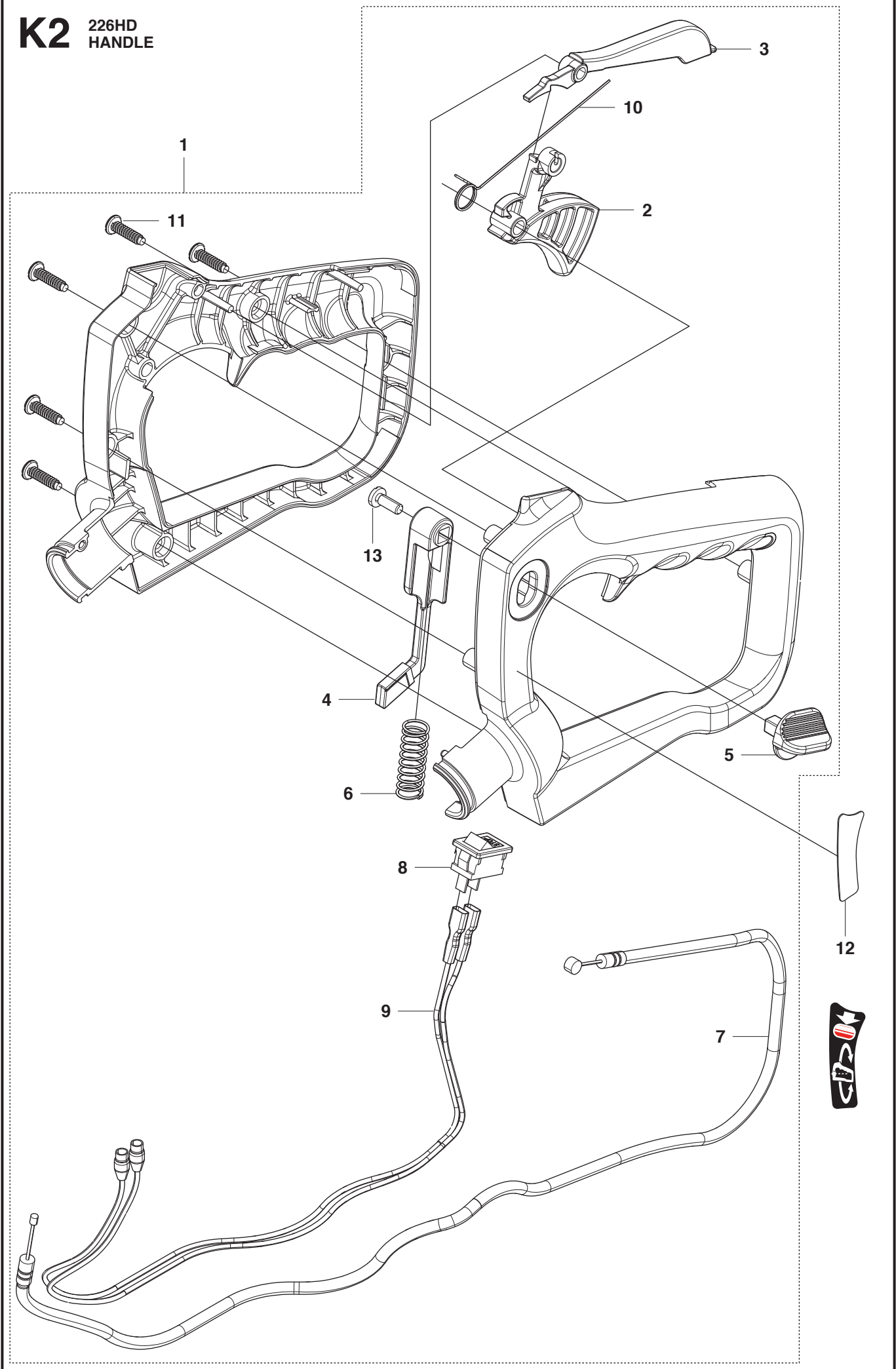
| Position | Article | Quantity | Notes | Kit |
|-----------------|----------------|-----------------|--------------|------------|
| 1 | 506 68 50-01 | 1 | | |
| 2 | 505 04 10-01 | 2 | | |
| 3 | 506 65 18-01 | 1 | | |
| 4 | 506 68 94-01 | 1 | | |

K1 226HD
HANDLE



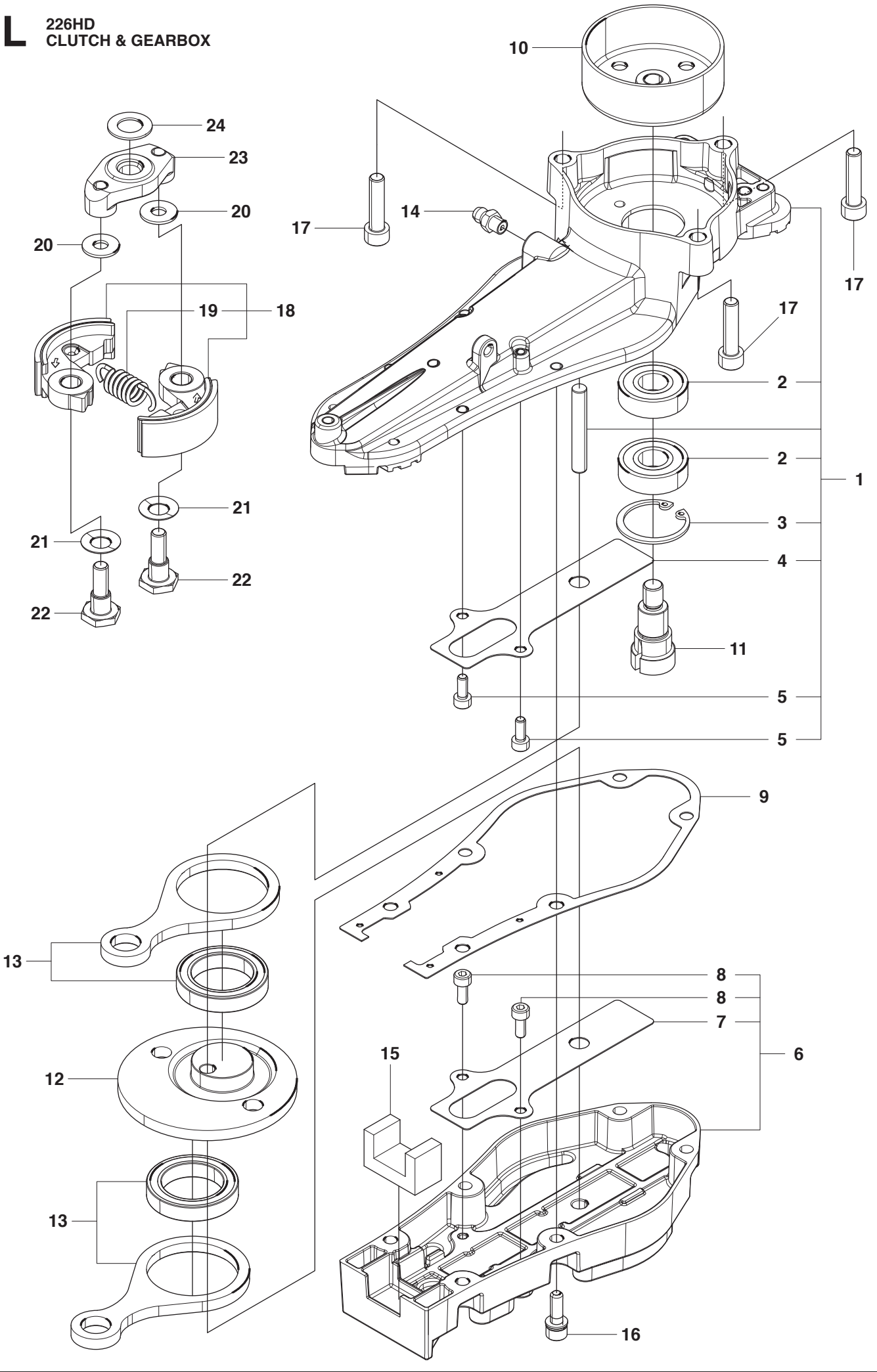
| Position | Article | Quantity | Notes | Kit |
|----------|--------------|----------|-------|-----|
| 1 | 523 07 21-01 | 1 | | |
| 2 | 513 58 61-01 | 2 | | |
| 3 | 521 59 39-01 | 2 | | |
| 6 | 505 29 95-01 | 4 | | |
| 7 | 521 85 12-01 | 2 | | |
| 8 | 523 07 22-01 | 1 | | |
| 9 | 521 85 09-01 | 1 | | |
| 10 | 576 69 53-01 | 1 | | |
| 11 | 521 59 38-01 | 2 | | |

K2 226HD
HANDLE



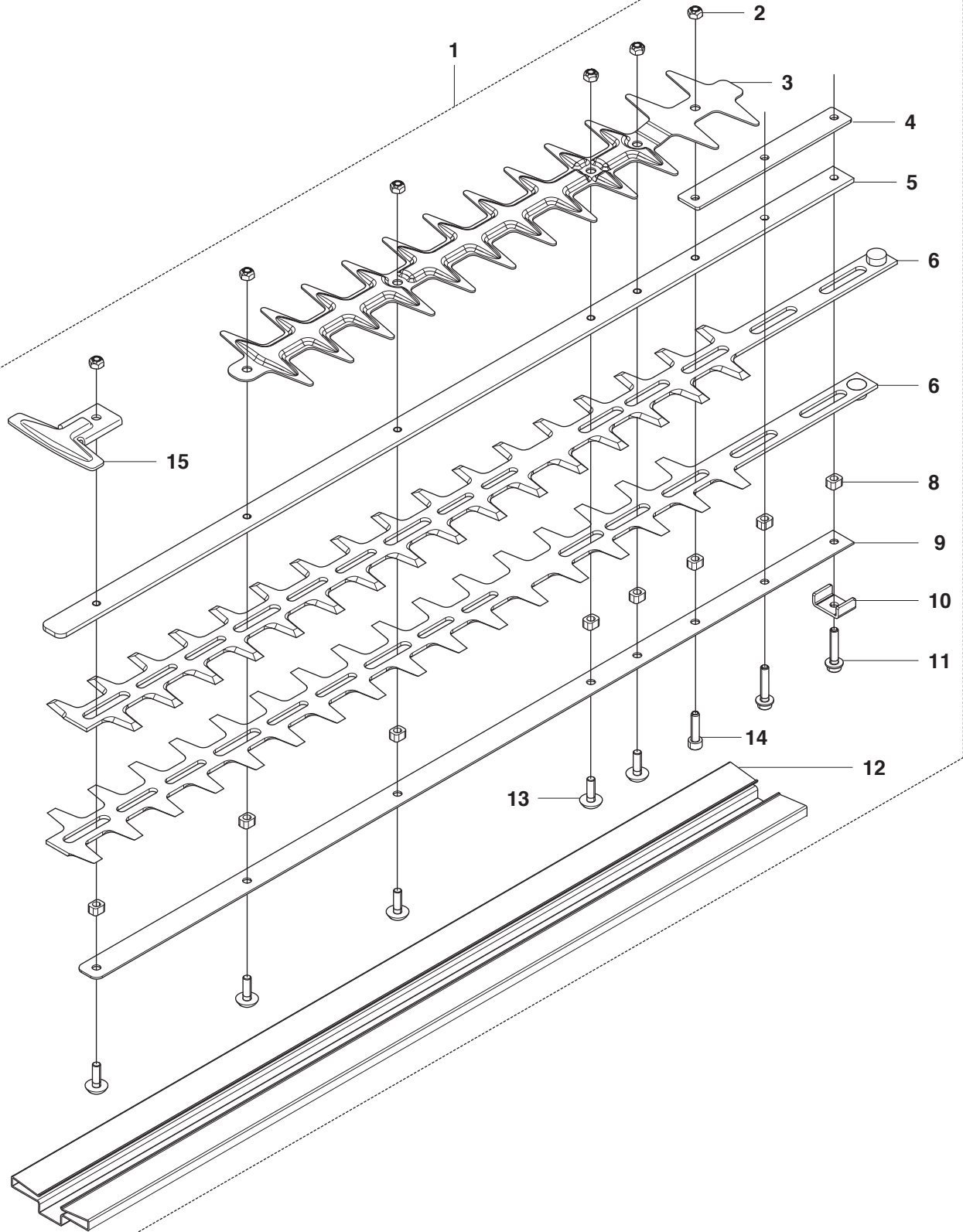
| Position | Article | Quantity | Notes | Kit |
|-----------------|----------------|-----------------|--------------|------------|
| 1 | 523 07 23-01 | 1 | | |
| 2 | 523 07 24-01 | 1 | | 1 |
| 3 | 523 07 25-01 | 1 | | 1 |
| 4 | 521 85 06-01 | 1 | | 1 |
| 5 | 523 07 27-01 | 1 | | 1 |
| 6 | 521 85 08-01 | 1 | | 1 |
| 7 | 521 52 71-01 | 1 | | 1 |
| 8 | 521 85 16-01 | 1 | | 1 |
| 9 | 512 79 80-01 | 1 | | 1 |
| 10 | 581 21 61-01 | 1 | | 1 |
| 11 | 505 04 70-01 | 5 | | 1 |
| 12 | 521 85 57-01 | 1 | | |
| 13 | 506 61 40-01 | 1 | | 1 |

L 226HD
CLUTCH & GEARBOX



| Position | Article | Quantity | Notes | Kit |
|----------|--------------|----------|-------|-----|
| 1 | 506 61 99-01 | 1 | | |
| 2 | 529 26 98-01 | 2 | | 1 |
| 3 | 506 60 99-01 | 1 | | 1 |
| 4 | 506 62 69-01 | 1 | | 1 |
| 5 | 506 68 88-01 | 2 | | 1 |
| 6 | 506 62 28-01 | 1 | | |
| 7 | 506 62 69-01 | 1 | | 6 |
| 8 | 506 68 88-01 | 2 | | 6 |
| 9 | 506 68 83-01 | 1 | | |
| 10 | 506 61 95-01 | 1 | | |
| 11 | 506 62 72-01 | 1 | | |
| 12 | 506 68 87-01 | 1 | | |
| 13 | 506 68 85-01 | 2 | | |
| 14 | 505 17 15-01 | 1 | | |
| 15 | 506 68 89-01 | 1 | | |
| 16 | 506 61 79-01 | 6 | | |
| 17 | 506 60 95-01 | 3 | | |
| 18 | 506 62 94-01 | 1 | | |
| 19 | 506 68 58-01 | 1 | | 18 |
| 20 | 505 05 44-01 | 2 | | |
| 21 | 506 61 38-01 | 2 | | |
| 22 | 506 65 22-01 | 2 | | |
| 23 | 506 65 21-01 | 1 | | |
| 24 | 506 61 42-01 | 1 | | |

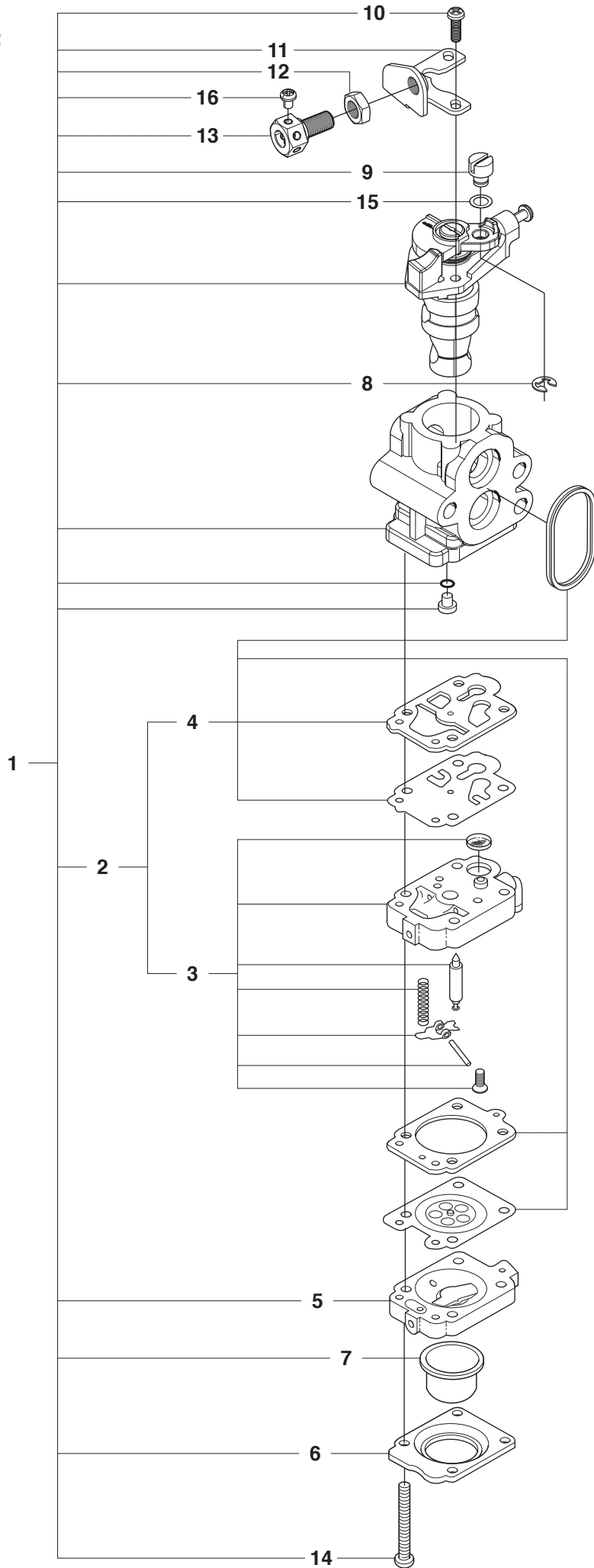
M1 226HD60S
CUTTING EQUIPMENT



Page M1 226HD60S CUTTING EQUIPMENT

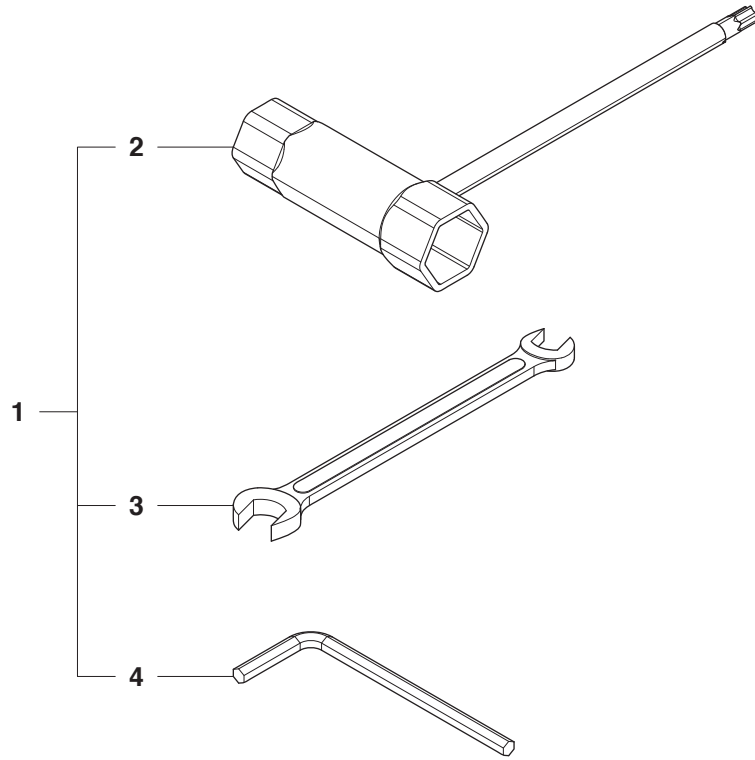
| Position | Article | Quantity | Notes | Kit |
|-----------------|----------------|-----------------|--------------|------------|
| 1 | 577 55 89-01 | 1 | | |
| 2 | 506 68 78-01 | 6 | | 1 |
| 3 | 521 59 47-01 | 1 | | 1 |
| 4 | 506 68 82-01 | 1 | | 1 |
| 5 | 512 84 06-01 | 1 | | 1 |
| 6 | 523 07 29-01 | 2 | | 1 |
| 8 | 506 68 76-01 | 8 | | 1 |
| 9 | 521 85 88-01 | 1 | | 1 |
| 10 | 506 62 74-01 | 1 | | 1 |
| 11 | 506 61 80-01 | 2 | | 1 |
| 12 | 577 64 44-03 | 1 | | 1 |
| 13 | 506 68 75-01 | 5 | | 1 |
| 14 | 506 60 93-01 | 1 | | 1 |
| 15 | 577 54 18-01 | 1 | | 1 |

N 226HD
CARBURETOR



| Position | Article | Quantity | Notes | Kit |
|-----------------|----------------|-----------------|--------------|------------|
| 1 | 523 07 15-01 | 1 | | |
| 2 | 528 07 01-01 | 1 | | 1 |
| 3 | 502 23 84-01 | 1 | | 1, 2 |
| 4 | 515 37 87-01 | 1 | | 1, 2 |
| 5 | 506 74 09-01 | 1 | | 1 |
| 6 | 506 74 10-01 | 1 | | 1 |
| 7 | 505 30 67-01 | 1 | | 1 |
| 8 | 506 73 86-01 | 1 | | 1 |
| 9 | 506 74 12-01 | 1 | | 1 |
| 10 | 505 30 79-01 | 2 | | 1 |
| 11 | 506 74 60-01 | 1 | | 1 |
| 12 | 506 61 26-01 | 1 | | 1 |
| 13 | 505 30 82-01 | 1 | | 1 |
| 14 | 506 74 11-01 | 4 | | 1 |
| 15 | 506 74 60-01 | 1 | | 1 |
| 16 | 505 30 83-01 | 1 | | 1 |

P 226HD
ACCESSORIES



Page P 226HD ACCESSORIES

| Position | Article | Quantity | Notes | Kit |
|-----------------|----------------|-----------------|--------------|------------|
| 1 | 506 61 84-01 | 1 | | |
| 2 | 506 68 61-01 | 1 | | 1 |
| 3 | 506 61 50-01 | 1 | | 1 |
| 4 | 505 31 19-01 | 1 | | 1 |